

A photograph of the Ammann APA 75/74 2M Add-On Compactor, a yellow hydraulic compaction unit, mounted on the arm of an excavator. The background shows a wooden building and a forest under a clear sky. The text 'AMMANN' and 'APA 75/74 2M' is visible on the yellow compactor.

APA 75/74 2M

ADD-ON COMPACTOR

2 OPERATING MODES FOR MAXIMUM FLEXIBILITY

The APA 75/74 2M offers users a choice between two operating modes. This allows a wide range of applications on open terrain as well as on urban construction sites.

This Add-On Compactor features a hydraulic 360° rotating motor and is suitable for excavators in the 12- to 25-tonne class.

2M = 2 MODES

- High amplitude with high compaction performance: for use in substructure work
- Low amplitude: used for sensitive areas such as trench filling or compaction work over pipelines

RUGGED DESIGN

- The housing protects the central exciter unit
- Bearing bushings protect the housing against vibrations and prevent direct contact by metal surfaces under high pressure

PATENTED VIBRATION LIMITATION

- High-resistance rubber shock absorbers cushion vibrations to protect the excavator and operator

THE MACHINE THAT MATCHES

- The Add-On Compactor is compatible with all commonly used adapters
- With the Ammann fast change system, this Add-On Compactor is connected up and ready to operate within a few seconds
- Available with a hydraulic rotator

SAFETY

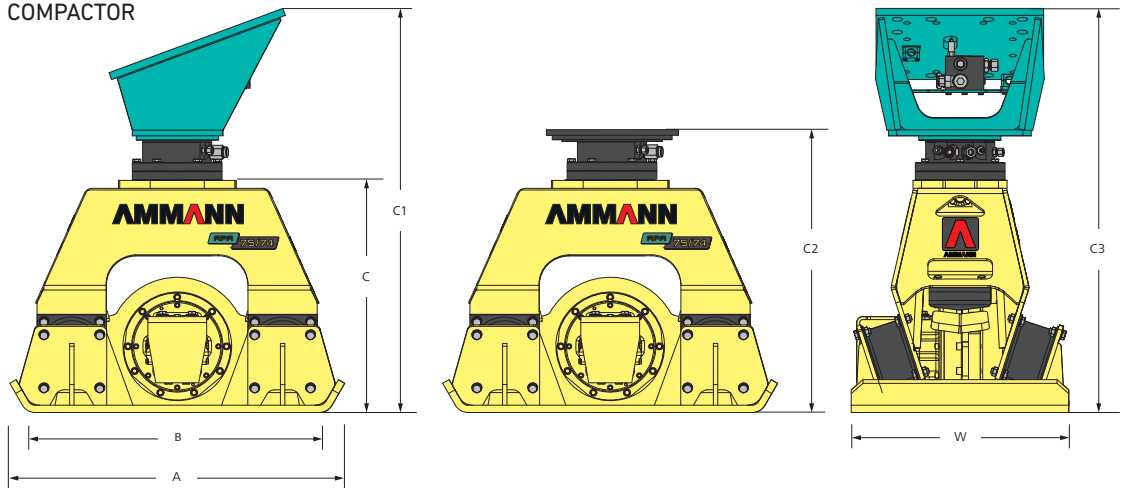
- For work on steep inclines where compaction with a vibratory plate is not safe
- Trench compaction from a safe distance

APPLICATIONS

- Add-On Compactor for excavators from 12- to 25-tonnes
- Pipeline construction
- Development areas
- Slope and hillside compaction
- Confined work spaces
- Shaft compaction
- Structure backfill work
- Landfill
- Track construction

AMMANN

TECHNICAL SPECIFICATIONS
APA 75/74 2M ADD-ON COMPACTOR



WEIGHT & DIMENSIONS

	APA 75/74 2M
MACHINE WEIGHT	670 kg (1477 lb)
MACHINE WEIGHT (MECH.)	850 kg (1874 lb)
MACHINE WEIGHT (HYD.)	930 kg (2050 lb)
A LENGTH	1142 mm (45 in)
B BASE PLATE LENGTH	1027 mm (40.4 in)
C HEIGHT	652 mm (25.7 in)
C1 HEIGHT (MECH.)	1200 mm (47.2 in)
C2 HEIGHT (HYD.)	910 mm (35.8 in)
C3 HEIGHT (HYD+UNIV.)	1380 mm (54.3 in)
W WIDTH	740 mm (29.1 in)
DIAMETER	1320 mm (52 in)
RECOMMENDED CARRIER SIZE	12 - 25 t (26 455 - 55 116 lb)

COMPACTION FORCES

MAX. VIBRATION FREQUENCY	36 Hz (2160 VPM)
MAX. CENTRIFUGAL FORCE	75 kN (16 861 lbf)
MAX. VIBRATION FREQUENCY (2M)	55 Hz (3300 VPM)
MAX. CENTRIFUGAL FORCE (2M)	40 kN (8992 lbf)
SPEC. SURFACE PRESSURE	9,9 N/cm ² (14.3 psi)

STANDARD EQUIPMENT

- 2 operating modes
- Version with mechanical rotator
- Twin-shaft exciter with high frequency and low amplitude
- Rubber cushions protect the excavator against vibrations
- Universal adapter plate for fast changes

MISCELLANEOUS

HYDRAULIC CONNECTIONS	Turn - Forward - Return - Leak - Turn
REQUIRED HYDRAULIC PRESSURE	250 bar (3625.9 psi)
REQUIRED VOLUME FLOW	150 l/min (9153 in ³ /min)
MAX. RETURN PRESSURE	10 bar (145 psi)



OPTIONAL EQUIPMENT

- Version with hydraulic rotator
- Alternative connections for Krupp hole pattern
- Hydraulic connections for Likufix fast-change system
- Hydraulic connections for OilQuick fast change system
- Adapter plate to fit an OilQuick fast change system